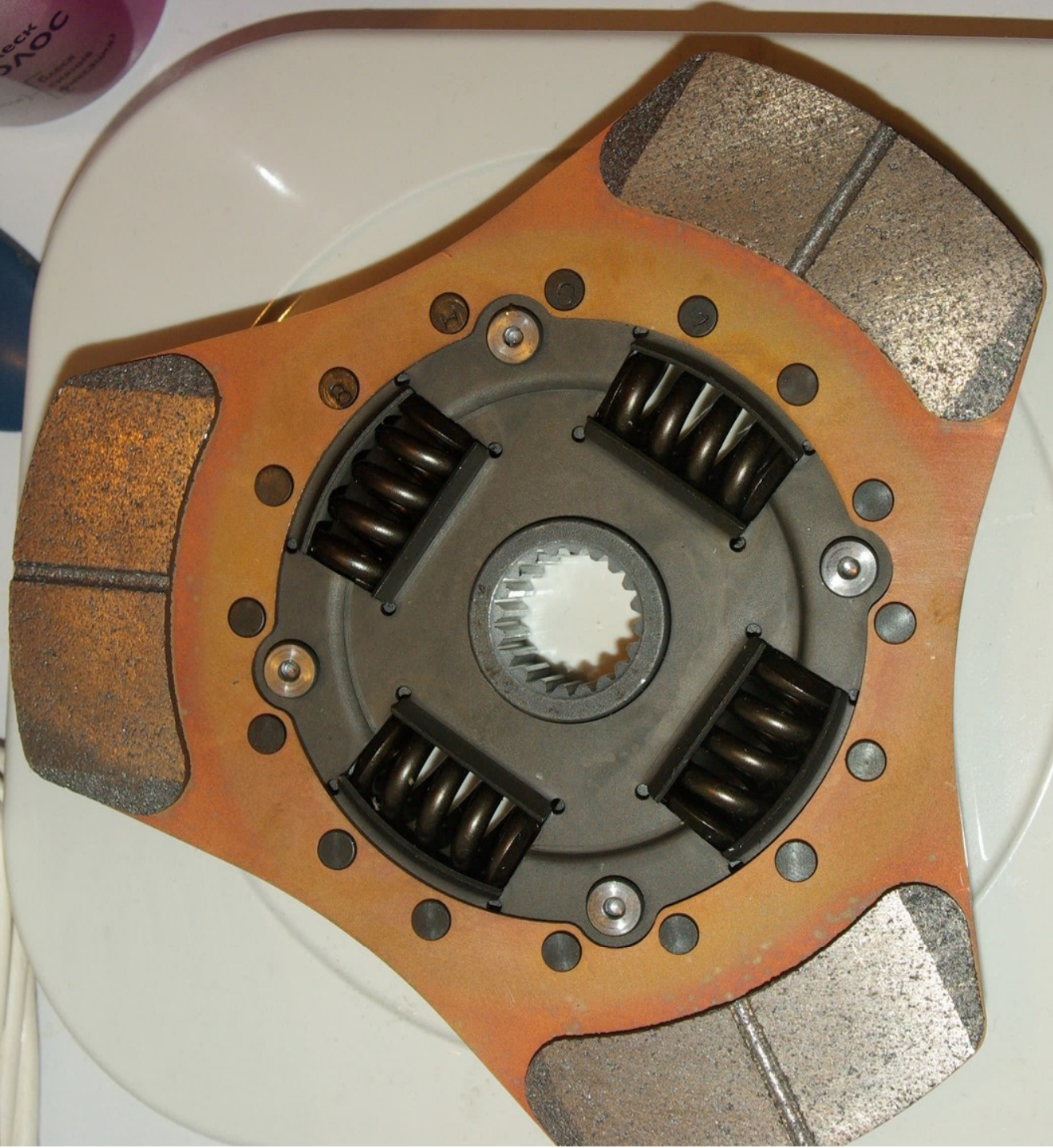


Легкий
шпатель
Блек
БОЛОС

LESSEY'S



Tefal

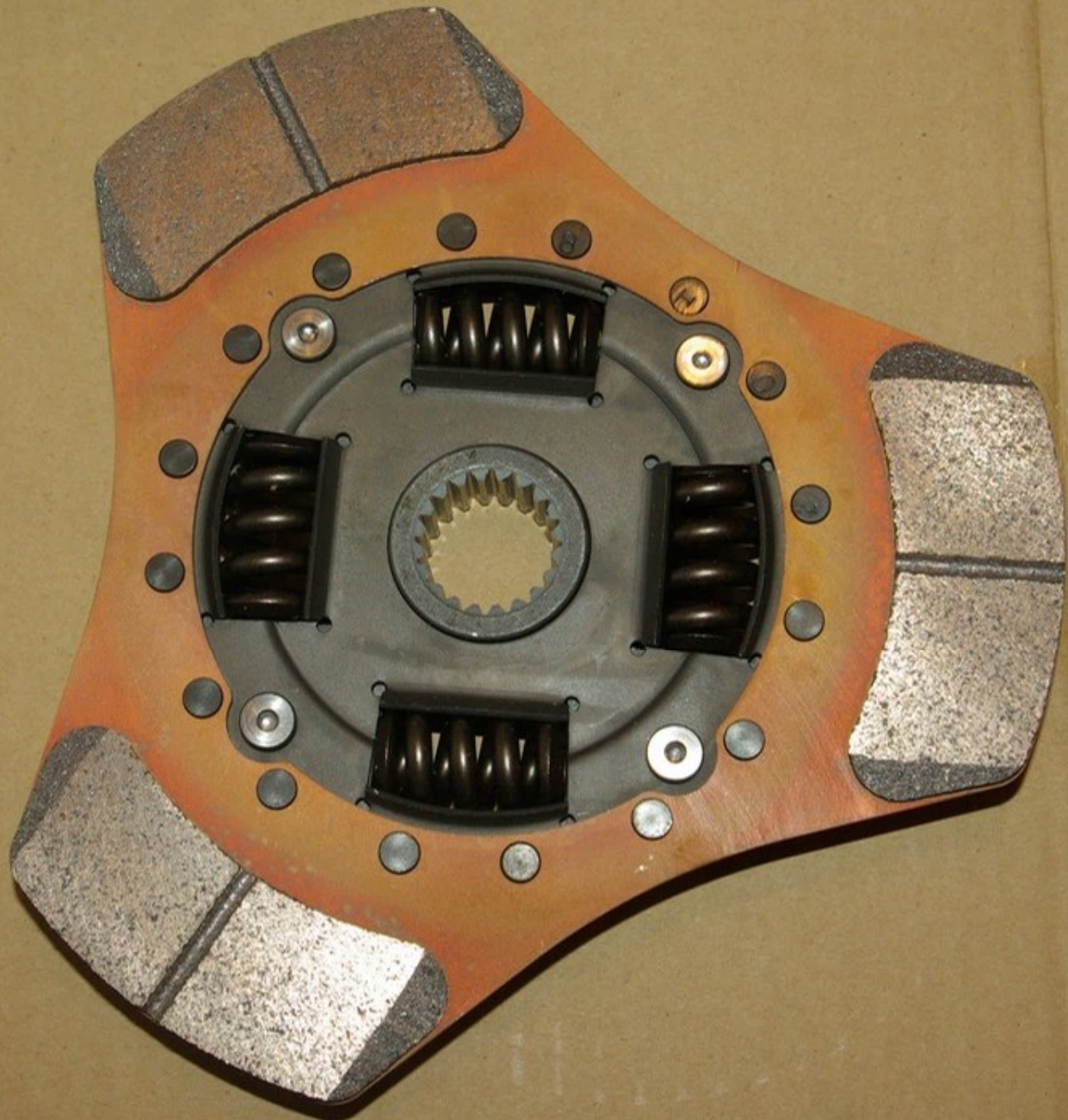
sensitive computer

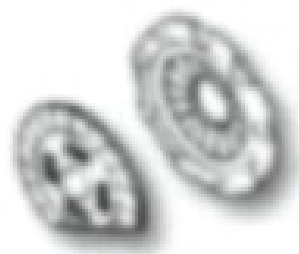
6003 g

3 kg

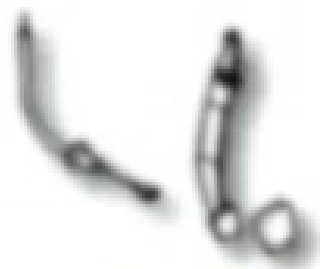
1g:0kg ▶ 1kg
5g:1kg ▶ 3kg







CLUTCH & RELEASE FORK



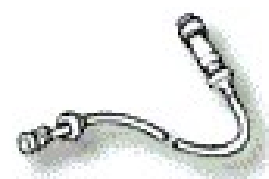
CLUTCH PEDAL FORK



TRANSMISSION ASSY & GASKET KIT (MTM)



CLUTCH HOUSING & TRANSMISSION CASE (MTM)



SPEEDOMETER DRIVEN GEAR (MTM)



TRANSMISSION GEAR (MTM)



GEAR SHIFT FORK (MTM)



CONTROL SHAFT



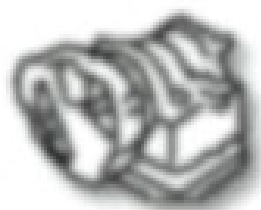
SHIFT LEVER & RETAINER



TRANSMISSION ASSY (ATM)



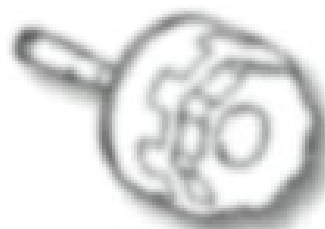
TORQUE CONVERTER & FRONT OIL PUMP (ATM)



TRANSMISSION CASE & OIL PAN (ATM)



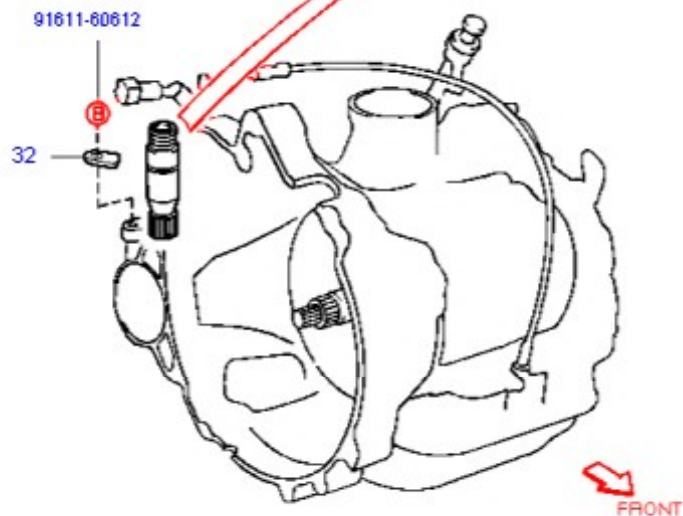
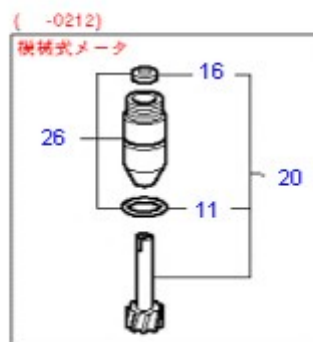
SPEEDOMETER DRIVEN GEAR (ATM)



BRAKE BAND & MULTIPLE DISC CLUTCH (ATM)



BRAKE NO. 3 (ATM)



256-3505-01

05.11.08

Microcat®

ОСНОВНОЙ: В ШАССИ

УЧАСТ: 35.05 SPEEDOMETER DRIVEN GEAR (ATM) [ATM] (08/2000-08/2005)

НАИМ:

КЛЮЧ:

ЗАПЧАСТЬ:
ОБЗОР С:

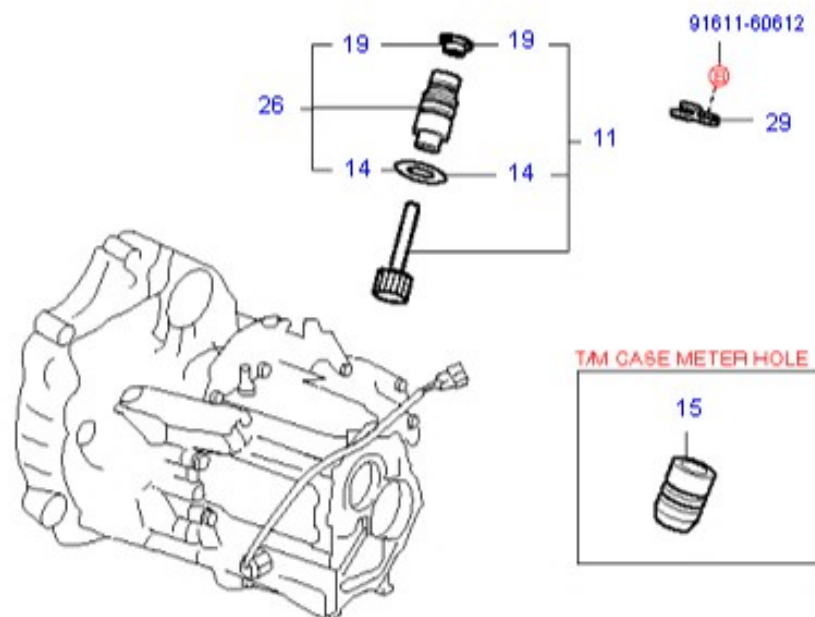
С:
ОБЗОР ПО:

ПО:

З/Ч:

КОЛ.:
СД:

(0008-0508) MTM



FRONT

256-3304-01

05.11.08

Просмотр интерпретации

✓	Ключ	Наименование	Коды спец.	Кол.	Коды моделей	3/4	Заказат	Раздел	Номер
▶	11	GEAR, SPEEDOMETER DRIVEN (FOR MTM)		1	1300 CC GASOLINE ENGINE;	9	08/2000	12/2000	33403-87739-000
	11	GEAR, SPEEDOMETER DRIVEN (FOR MTM) Z=16		1	EJ TYPE ALL GASOLINE ENGINE;	9	08/2000	08/2005	33403-97207-000
	11	GEAR, SPEEDOMETER DRIVEN (FOR MTM)		1	1300 CC GASOLINE ENGINE;	9	01/2001	11/2003	33403-97222-000
	11	GEAR, SPEEDOMETER DRIVEN (FOR MTM)	47LI=W/O ABS	1	1300 CC GASOLINE ENGINE;	9	12/2003	08/2005	33403-97222-000

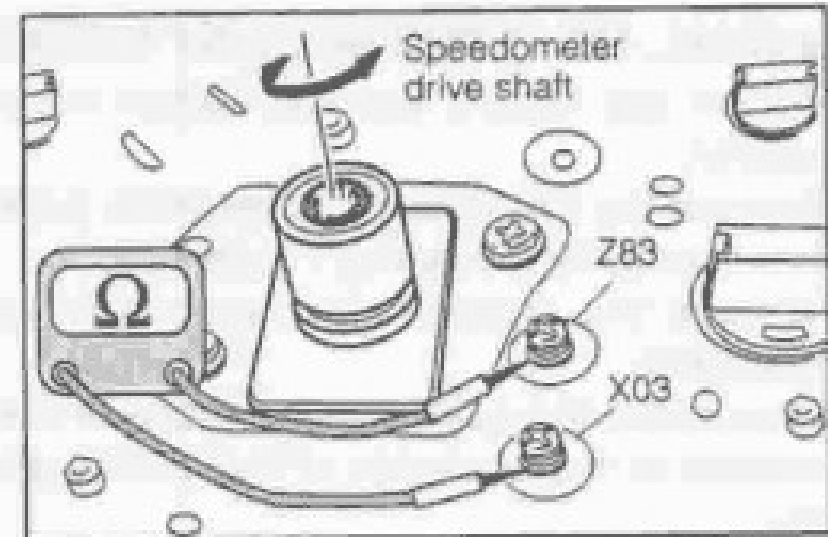
INSPECTION OF SPEED SENSOR

Type with meter cable

1. Connect an ohmmeter between the terminal X03 and Z83,
2. Turn the speedometer drive shaft.

Specification:

The continuity should be 4 times per each revolution of the speedometer drive shaft.

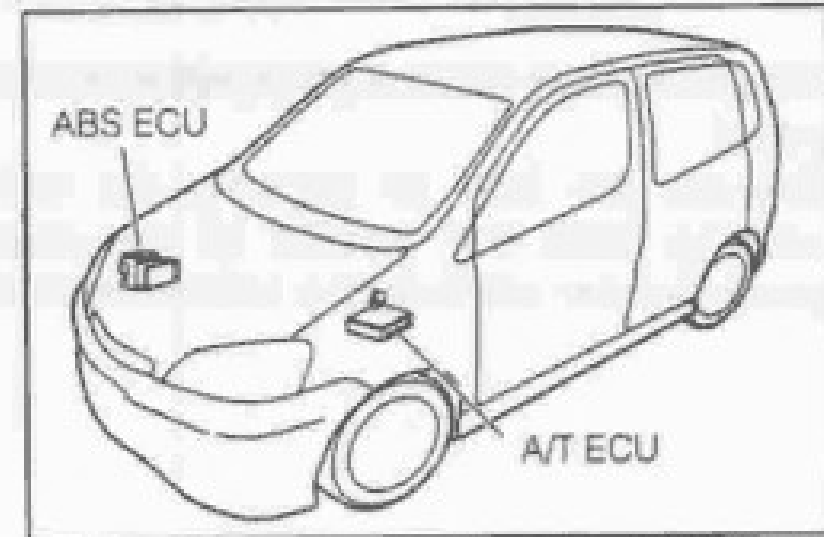


Type without meter cable

<A/T vehicle and M/T vehicle equipped with ABS>

Signals are sent from the A/T ECU in the case of the A/T vehicles; from the ABS ECU in the case of the M/T vehicles, respectively.

For detailed information, refer to the relative section.

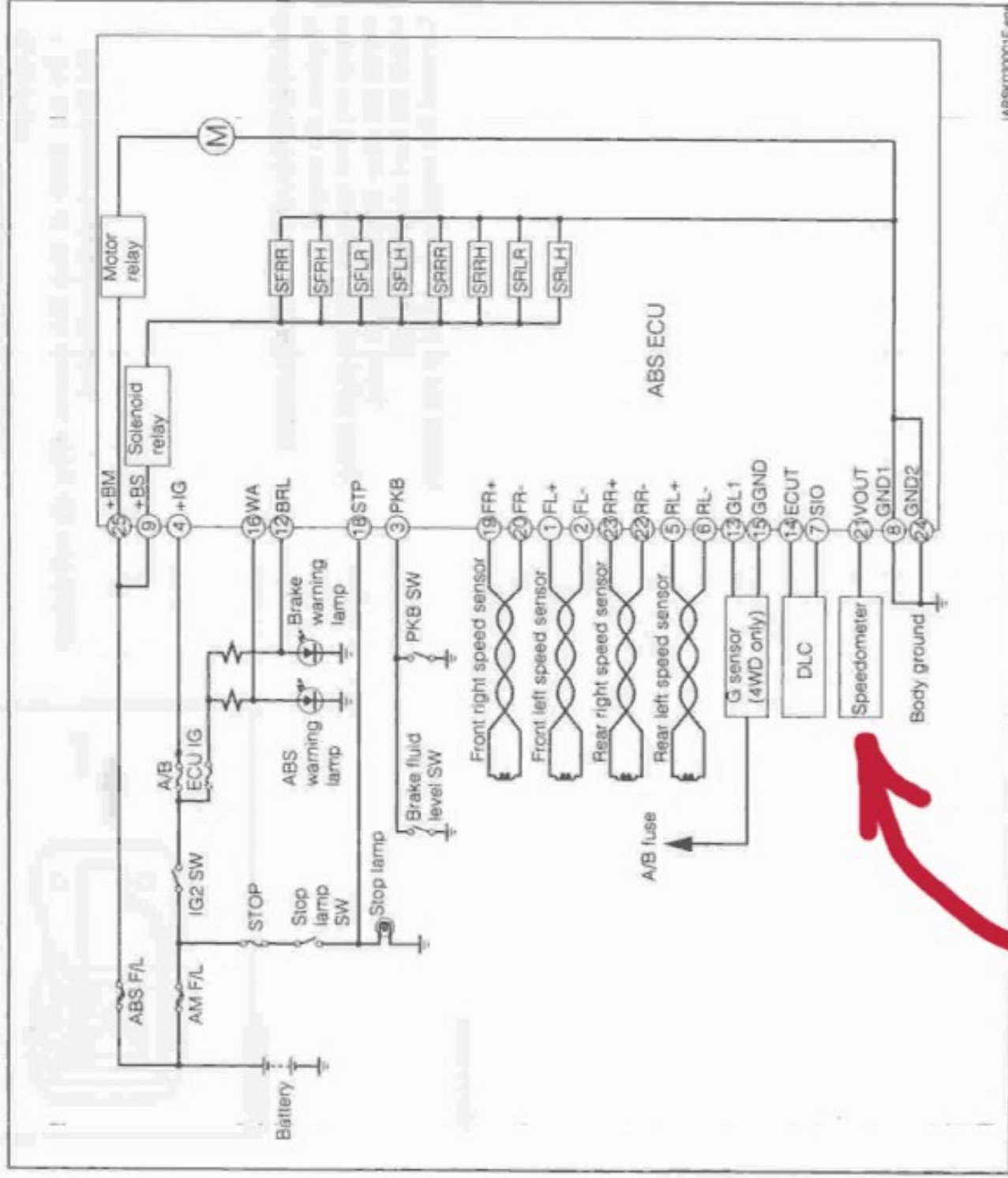


ABS-12

5 ANTI-LOCK BRAKE SYSTEM

5-1 OUTLINE OF SYSTEMS

5-1-1 CIRCUIT DIAGRAM



14BSC00001E.pdf
ABS-ABS-Cvw-00001

ABS ECU side





28.03.2009 11:59

28 03 2009 13:07



28 03 2009 13:08





28.03.2009 13:08

28.03.2009 13:08





28.03.2009 13:08



28.03.2009 13:08



28.03.2009 13:08



28 03 2009 13:08



28.03.2009 13:09



28.03.2009 13:09





28 03 2009 13:09



28.03.2009 13:09



28 03 2009 13 09



28.03.2009 13:09



28.03.2009 13:09



28.03.2009 13:10



425
0425 U

28.03.2009 13:10



28 03 2009 13 10



